

SGP1-D Series	DC Operated AC Contactor
---------------	--------------------------

Standard	IEC60947-4
Electric ratings	9-95A
Rated operating voltage Ue(V)	AC:24V 36V 48V 110V 220V 380V; DC:12V 24V 48V 110V 220V
Rated insulation voltage Ui(V)	690
Operation range	Pick-up voltage AC/DC 0.85-1.1
	Drop-out voltage AC ≥ 0.2 DC ≥ 0.1
Dielectrical property (AC 50Hz)	1890V 1min
Rated conventional heating current(Ith)	10A
Controllable capacity(It)	AC-15 400V 0.95A; DC-13 220V 0.15A
Electrical life	1 million
Mechanical life	10 million
Ambient air temperature	-5°C-+40°C
Degree of pollution	III
Maximum operating altitude(meters)	≤ 2000

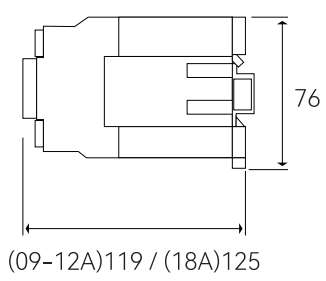


SGP1-D

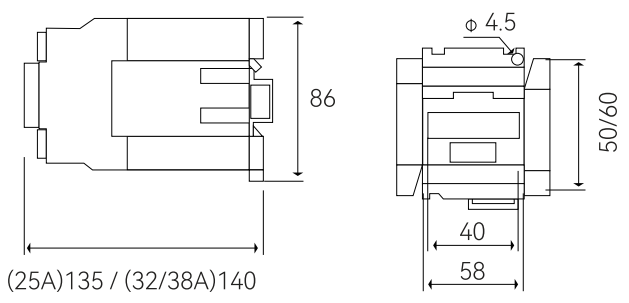
SGP1-D Series DC Operated AC Contactor

Overall Dimensions

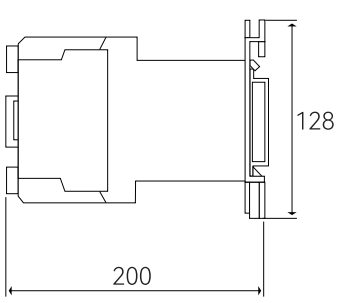
SGP1-D09~18



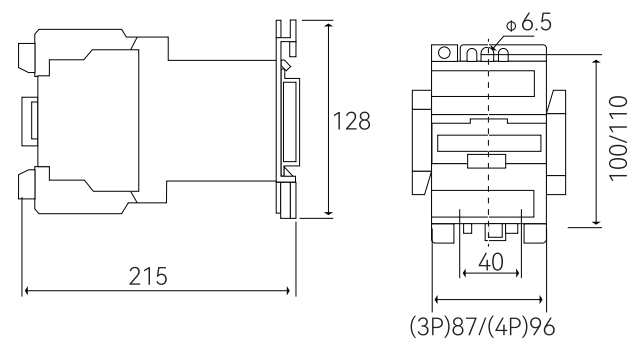
SGP1-D25~38



SGP1-D40~65



SGP1-D80~95



Model	Rated operating current 380V AC-3(A)	Conventional thermal current(A)	Standard power ratings of 3 phase motors 50-60Hz AC-3			Auxiliary contact		Type
			220V/230V (kw)	380V/400V (kw)	660V/690V (kw)			
SGP1-D0910 SGP1-D0901	9	20	2.2	4	5.5	1	-	3P+NO 3P+NC
SGP1-D1210 SGP1-D1201	12	20	3	5.5	7.5	1	-	3P+NO 3P+NC
SGP1-D1810 SGP1-D1801	18	32	4	7.5	9	1	-	3P+NO 3P+NC
SGP1-D2510 SGP1-D2501	25	40	5.5	11	15	1	-	3P+NO 3P+NC
SGP1-D3210 SGP1-D3201	32	50	7.5	15	18.5	1	-	3P+NO 3P+NC
SGP1-D4011	40	60	11	18.5	30	1	1	3P+NO+NC
SGP1-D5011	50	80	15	22	33	1	1	3P+NO+NC
SGP1-D6511	65	80	18.5	30	37	1	1	3P+NO+NC
SGP1-D8011	80	125	22	37	45	1	1	3P+NO+NC
SGP1-D9511	95	125	25	45	45	1	1	3P+NO+NC