

SGC2-D Series	AC Contactor
---------------	--------------

Standard	IEC60947-4-1
Electric ratings	115-620A
Rated insulation voltage $U_i(V)$	1000
Operation range	Pick-up voltage (85%~110%) U_c Drop-out voltage (20%~75%) U_c
Rated impulse withstand voltage $U_{imp}(kV)$	8
Rated frequency(Hz)	50/60
Utilization category	AC-3,AC-4
Degree of protection	IP20
Ambient air temperature	-5 to+40,max.95%humidity
Storage temperature	-40~+75
Maximum operating altitude(meters)	≤ 2000
Flame resistance	V1
Certification	CE

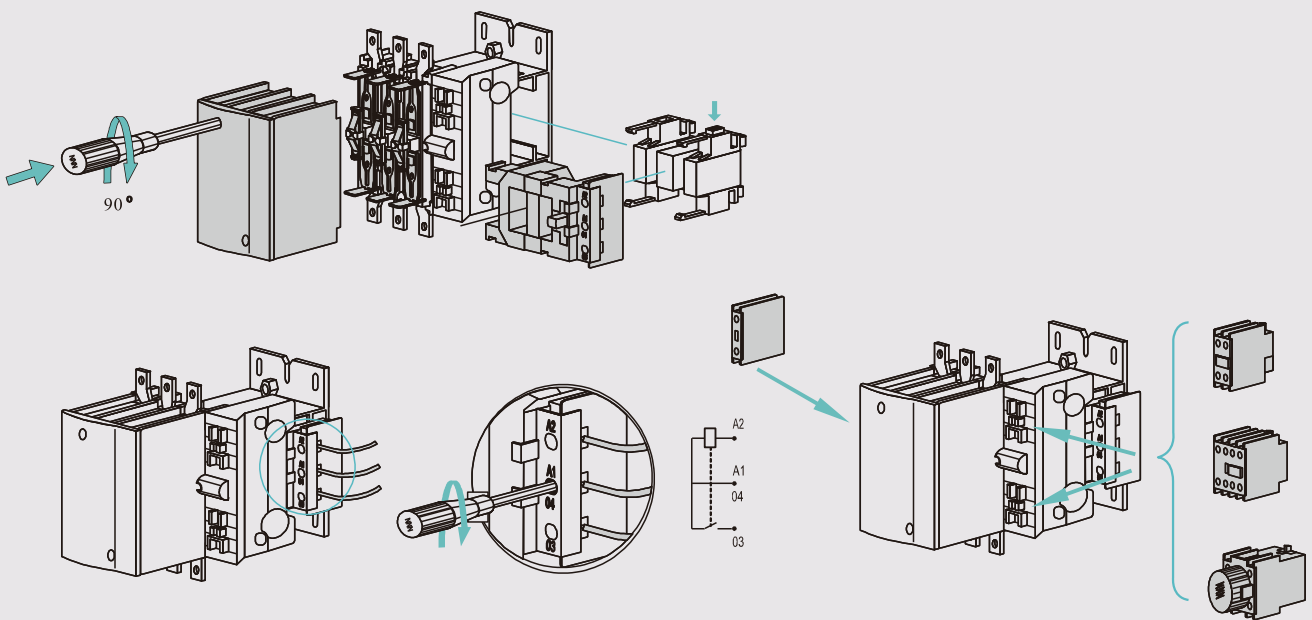


SGC2-D

SGC2-D Series

AC Contactor

Type		SGC2-D								
		115	150	170	205	245	300	410	475	620
Number of poles		3,4	3,4	3,4	3,4	3,4	2,3,4	2,3,4	2,3,4	2,3,4
Current Ie(A) (Ue≤400V)	In AC-3	115	150	174	305	245	300	410	475	620
	In AC-1	200	200	200	275	315	400	500	700	900
Rated conventional thermal current Ith(A)		200	200	200	275	315	400	500	700	900
Rated making capacity(A) 1ms		10xIn AC-3 or 12 x In AC-4								
Rated breaking capacity(A) 1ms		8xIn AC-3 or 10 x In AC-4								
Rated operational power in category AC-3(kw)	220/230V	30	40	55	63	75	100	129	147	200
	380/400V	55	75	90	100	132	160	200	250	335
	415V	59	80	100	110	140	180	220	280	375
	440V	59	80	100	110	140	180	220	280	375
	500V	75	90	110	129	160	200	257	335	400
	660/690V	80	100	110	140	180	220	280	355	450
	1000V	75	90	100	100	147	160	185	335	425
Average impedance per pole(mΩ)		0.6	0.6	0.6	0.32	0.30	0.28	0.24	0.20	0.12
Electrical life(X 10 ³ times)		1200	1200	1000	1000	800	800	800	800	800
Mechanical life(X 10 ³ times)		10000	10000	6000	6000	6000	6000	6000	6000	6000
Matching fuse model		RT16-1	RT16	RT16	RT16	RT16-3	RT16-3	RT16-3	RT16-3	RT16-3
Tightening torque(N.m) cable connection		18	18	18	18	35	35	35	35	58



Accessories

Auxiliary Contact Block	Model	Number of contacts	Mounting Type	Auxiliary Contacts	
					
	SGA1-DN11	2	Front	1	1
	SGA1-DN20	2		2	0
	SGA1-DN02	2		0	2
	SGA1-DN22	4		2	2
	SGA1-DN13	4		1	3
	SGA1-DN40	4		4	0
	SGA1-DN04	4		0	4
	SGA1-DN31	4		3	1
	SGA8-DN11	2	Lateral	1	1
	SGA8-DN20	2		2	0
Timer delay block	Model	Number of contacts	Range	Time-delay type	
	SGA2-DT0	1NO+1NC	0.1-3s	Making time-delay	
	SGA2-DT2		0.1-30s		
	SGA2-DT4		10-180s		
	SGA3-DR0		0.1-3s	Breaking time-delay	
SGA3-DR2	0.1-30s				
SGA3-DR4	10-180s				
Mechanical interlock	Model	Matched AC Contactor			
	SGML-0932 SGML-4095	SGC1-D09 to SGC1-D32 SGC1-D40 to SGC1-D95			
Spare coils	Model	Voltage (VAC)	Rated frequency(Hz)	Matched AC Contactor	
	SGX1-D2 SGX1-D4 SGX1-D6	24(B7) 36(C7) 48(E7) 110(F7) 127(G7) 220(M7) 230(P7) 240(U7) 380/400(Q7) 415(N7) 440(R7) 480(T7)	50/60Hz	SGC1-D 09~95	