


# Electronic Type With LCD

iSGM6E Moulded Case  
Circuit Breaker



## Ratings And Specifications

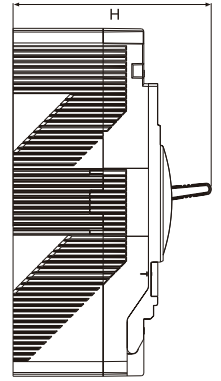
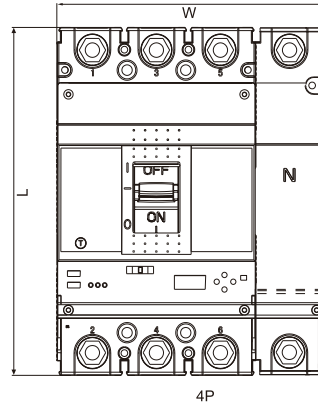
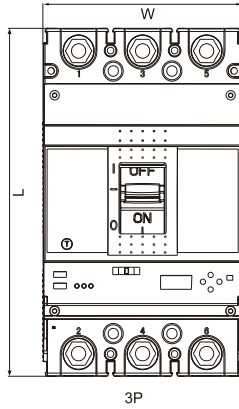
## Electronic Type With LCD

Frame Size	 400	
Model	iSGM6E-400	
Number of poles	3,4	
Rated current(A) In	250,300,315,320,400	
Standard	IEC60947-2	
Reference temperature	40°C/50°C/55°C	
Rated operational voltage	380/400/415V AC	
Rated insulation voltage Ui (V)	1000	
Rated impulse withstand voltage Uimp (kV)	8	
Selectivity category	B	
Rated short-time with stand current (Icw)	8 kA - 1 s	
Breaking capacity level	M	H
Rated ultimate short-circuit breaking capacity Icu(kA)	85	100
Rated service short-circuit breaking capacity Ics(kA)	60	75
Icu=Ics(kA)	60	75
Mechanical Endurance Electrical Endurance	for 250-315A	for 320-400A
	7000 1000	4000 1000
Accessories	Auxiliary contact(OFF) Alarm switch(SD) Shunt trip(MX) Under-voltage release(MN) AC Motor Mechanism Extended Rotary Handle	

Product Dimension Drawing      Electronic Type With LCD

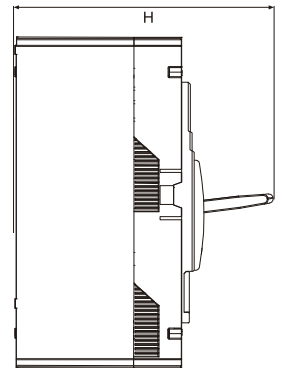
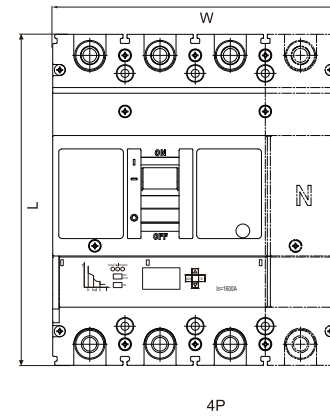
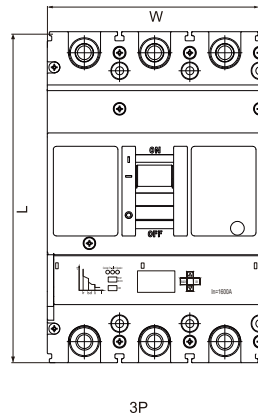
**iSGM6E**

160,250,400,630,800/1000



**iSGM6E**

1600



**iSGM6E Dimensions mm(L×W×H)**

Frame Size		400
3P	Length	257
	Width	150
	Height	152
4P	Length	257
	Width	197
	Height	152

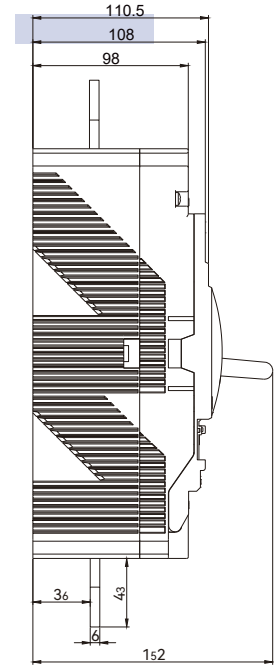
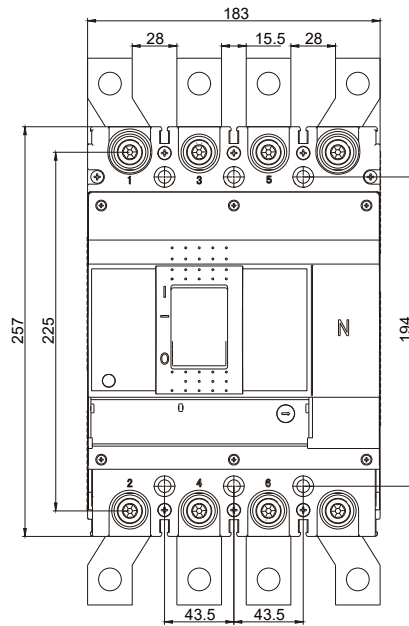
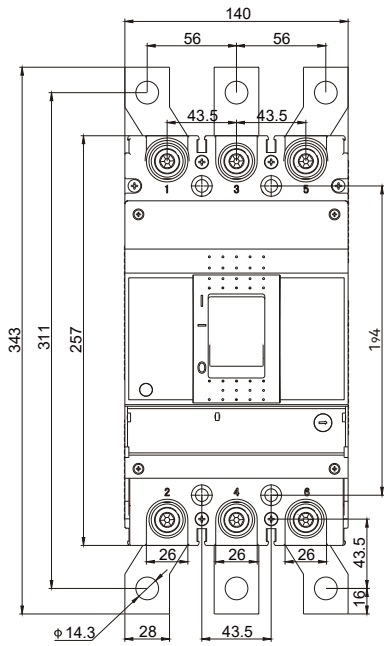
Setting Parameters		Electronic Type With LCD				
Frame Size	iSGM6E-400A					
Rated current In(A)	250	300	315	320	400	
Ir(A) Long Delay Current Setting	100-250A in steps of 1A	120-300A in steps of 1A	126-315A in steps of 1A	128-320A in steps of 1A	160-400A in steps of 1A	
tr(S) Long Delay Time	12-150sec in steps of 1 sec+OFF					
Isd(A) Short Circuit Protection Of Low Level Faults	200-3000A in steps of 1A	240-3600A in steps of 1A	252-3780A in steps of 1A	256-3840A in steps of 1A	320-4800A in steps of 1A	
tsd (S) short time	0.06-1sec in steps of 0.01 sec+OFF					
Ii(A) Short Circuit Protection Of High level Faults	400-3500A in steps of 1A + OFF	480-4200A in steps of 1A + OFF	504-4410A in steps of 1A + OFF	512-4480A in steps of 1A + OFF	640-5600A in steps of 1A + OFF	
Ip(A) Pre Trip Alarm Setting Multiple	70-250A in steps of 1A	84-300A in steps of 1A	88.2-315A in steps of 1A	89.6-320A in steps of 1A	112-400A in steps of 1A	
For 4p I <sub>g</sub> (A) Ground Fault Pickup Current	50-250A in steps of 1A + OFF	60-300A in steps of 1A + OFF	63-315A in steps of 1A + OFF	64-320A in steps of 1A + OFF	80-400A in steps of 1A + OFF	
For 4p t <sub>g</sub> (S) Ground Fault Pickup Time	0.4-1sec in steps of 0.1sec					

# MCCB With Spreader Link Dimensions

## ■ Front connection

Note: All dimensions are in mm

### SGM6/6s/6sm-400A(Me) 3 POLES & 4 POLES



### SGM6/6s/6sm/6E-400A/630A 3 POLES & 4 POLES

