


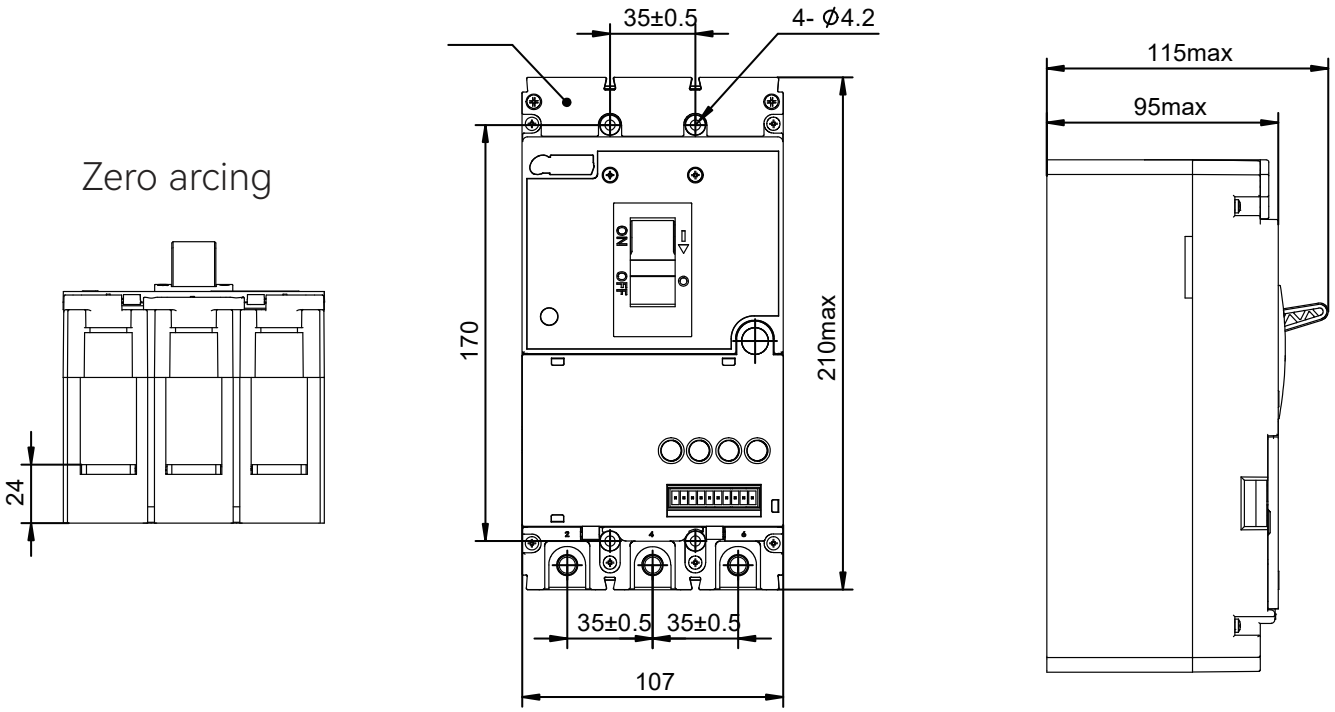
Ratings And Specifications

Measuring Switch

Frame Size	 250
Model	SGM6RS-250
Number of poles	3P
Rated current(A) In	100,125,160,200,250
Type(Carrier)	Front plug-in
Rated frequency (f)	50Hz
Select Category	Zero arcing Non-zero arcing
Standard	IEC60947-2
Reference temperature	40°C/55°C
Rated operational voltage	AC 230V/400V
Rated insulation voltage Ui (V)	800
Rated impulse withstand voltage Uimp (kV)	8
Rated ultimate short-circuit breaking capacity Icu(kA)	50
Rated service short-circuit breaking capacity Ics(kA)	36
Icu=Ics(kA)	36
Mechanical Endurance	8000
Electrical Endurance	2000

Product Dimension Drawing Measuring Switch

■ SGM6RS-250



■ SGM6RS-250

