

Clean and tidy appearance:

The optimized structural design ensures the mechanical degree of the box, the cover can be flexibly disassembled, and the large space can be placed with the circuit breakers as you want. IP30 protection level effectively prevents foreign matter from entering and reduces dust accumulation.

Enclosure:

Plastic base type with ABS flame retardant material. metal base type with cold rolled steel material. The side of the enclosure has wiring knockout holes on upper and lower sides. Can be easily pressed by 30N force. Bottom entry holes can easily enter the lines and improve efficiency.

Panel:

With Safety protection. The cover is made of flame-retardant PC material, with self-extinguishing material, reducing Safety hazards. Opening and closing 110°, large angle opening, more convenient and flexible.

Parts

Parts and components:

1. International standard 35MM rail
2. Easy installation holes
3. Lower heat generation, safe and reliable under high current operation



SGDBi-S/F Series

Distribution Box

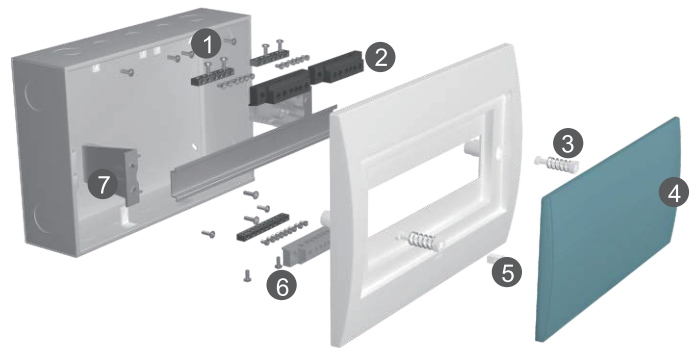
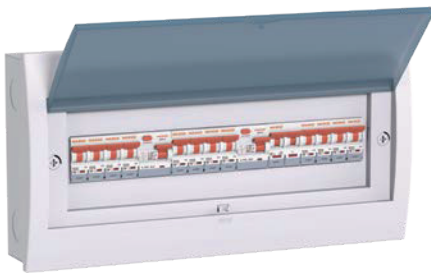
Technical data

| | |
|--------------------------|--|
| Standard | IEC60439-3 |
| Approval | CE |
| Modules (No.) | 6, 8,12,18, 24, 36, 54 |
| Row | 1 row for 6, 8, 12, 18 modules 2 rows for 24, 36 modules 3 rows for 54 modules |
| Rated current In(A) | 63,100,125A |
| Color | White RAL 9003 and Grey RAL 7035 |
| Color of door | Blue, White |
| Mounting type | Surface, Flush |
| Degree of protection | IP30 |
| Material | PS or ABS for body, PC for door |
| Fire resistance | 650 °C/30s |
| Ambient temperature (°C) | -5-+40, max.95% humidity |
| Storage temperature (°C) | -40~+75°C |



SGDBi-F PM (plastic cover and metal base)

| Number of module | Metal base (Flush type) | Rated Current In(A) | Color of door |
|------------------|-------------------------|---------------------|---------------|
| 8 | SGDBi-F08 PM | 63/100/125A | Blue/White |
| 12 | SGDBi-F12 PM | 63/100/125A | Blue/White |
| 18 | SGDBi-F18 PM | 63/100/125A | Blue/White |
| 24 | SGDBi-F24 PM | 63/100/125A | Blue/White |
| 36 | SGDBi-F36 PM | 63/100/125A | Blue/White |



| | | |
|----------------|----------------------|----------------------------|
| 1.Screw(M4x10) | 2.Plastic Strip | 3.Plastic Screw and Spring |
| 4.PC Window | 5.Plastic Cover Lock | 6.Screw(M2.5x14) |
| 7.Iron Support | | |

Metal Base Dimension

| Specification | L | W | H |
|---------------|-----|-----|----|
| 8ways | 264 | 202 | 73 |
| 12ways | 300 | 202 | 78 |
| 18ways | 408 | 202 | 73 |
| 24ways | 300 | 292 | 73 |
| 36ways | 408 | 292 | 76 |

