

## Clean and tidy appearance:

The optimized structural design ensures the mechanical degree of the box, the cover can be flexibly disassembled, and the large space can be placed with the circuit breakers as you want. IP30 protection level effectively prevents foreign matter from entering and reduces dust accumulation.

## Enclosure:

Plastic base type with ABS flame retardant material. metal base type with cold rolled steel material. The side of the enclosure has wiring knockout holes on upper and lower sides. Can be easily pressed by 30N force. Bottom entry holes can easily enter the lines and improve efficiency.

## Panel:

With Safety protection. The cover is made of flame-retardant PC material, with self-extinguishing material, reducing Safety hazards. Opening and closing 110°, large angle opening, more convenient and flexible.

## Parts

Parts and components:

1. International standard 35MM rail
2. Easy installation holes
3. Lower heat generation, safe and reliable under high current operation

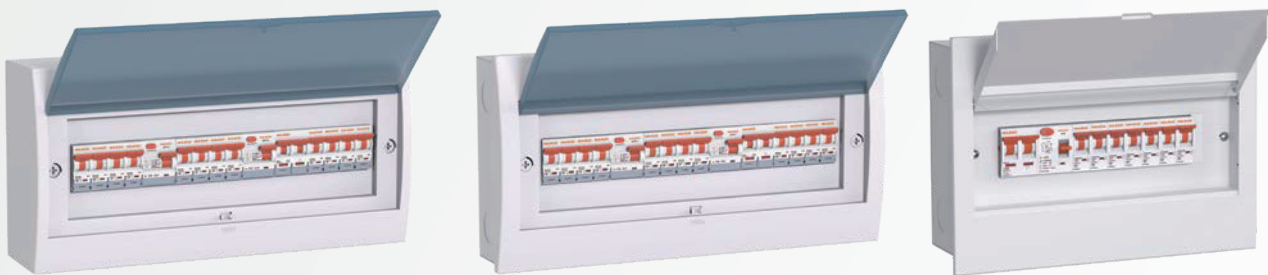


# SGDBi-S/F Series

## Distribution Box

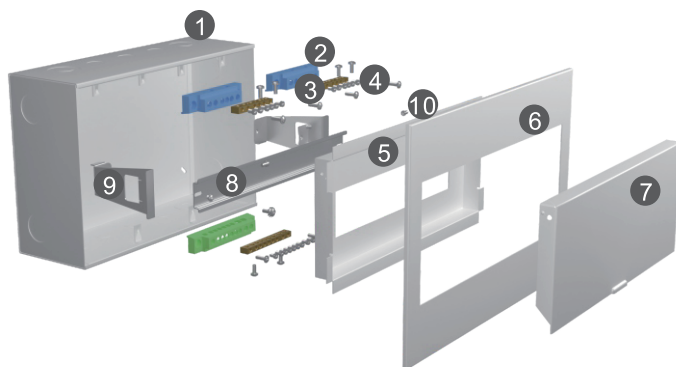
### Technical data

Standard	IEC60439-3
Approval	CE
Modules (No.)	6, 8,12,18, 24, 36, 54
Row	1 row for 6, 8, 12, 18 modules 2 rows for 24, 36 modules 3 rows for 54 modules
Rated current In(A)	63,100,125A
Color	White RAL 9003 and Grey RAL 7035
Color of door	Blue, White
Mounting type	Surface, Flush
Degree of protection	IP30
Material	PS or ABS for body, PC for door
Fire resistance	650 °C/30s
Ambient temperature (°C)	-5-+40, max.95% humidity
Storage temperature (°C)	-40~+75°C



## SGDBi-F MM(metal cover and metal base)

Number of module	Metal base (Flush type)	Rated Current In(A)	Color of door
8	SGDBi-F08 MM	63/100/125A	Blue/White
12	SGDBi-F12 MM	63/100/125A	Blue/White
18	SGDBi-F18 MM	63/100/125A	Blue/White
24	SGDBi-F24 MM	63/100/125A	Blue/White
36	SGDBi-F36 MM	63/100/125A	Blue/White



1.Metal Base	2.Plastic Strip	3.Metal Brass Terminal Block
4.Screw	5.Front Cover Plate	6.Metal Front Cover
7.PC Window	8.Din Rail	9.Din Rail Support
10.Hinge Screw		

## Metal Base Dimension

Dimension	L1/L2	W1/W2	H1/H2
8ways	210/251	115/226	103/105
12ways	280/321	115/226	103/105
18ways	388/429	115/226	103/105
24ways	280/321	115X2/317	103/105.7
36ways	388/429	115X2/317	103/105.7

