

DISTRIBUTION BOX



Committed to becoming a world-class manufacturer of intelligent electric

Clean and tidy appearance:

The optimized structural design ensures the mechanical degree of the box, the cover can be flexibly disassembled, and the large space can be placed with the circuit breakers as you want. IP30 protection level effectively prevents foreign matter from entering and reduces dust accumulation.

Enclosure:

Plastic base type with ABS flame retardant material. metal base type with cold rolled steel material. The side of the enclosure has wiring knockout holes on upper and lower sides. Can be easily pressed by 30N force. Bottom entry holes can easily enter the lines and improve efficiency.

Panel:

With Safety protection. The cover is made of flame-retardant PC material, with self-extinguishing material, reducing Safety hazards. Opening and closing 110 ° , large angle opening, more convenient and flexible.

Parts

Parts and components:

1. International standard 35MM rail
2. Easy installation holes
3. Lower heat generation, safe and reliable under high current operation

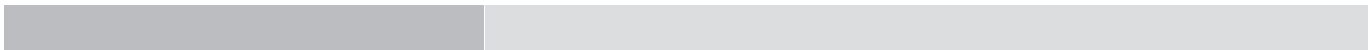


SGDBi-S/F Series

Distribution Box

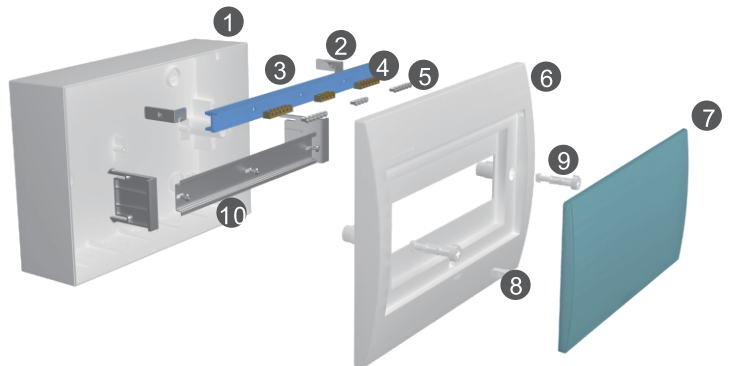
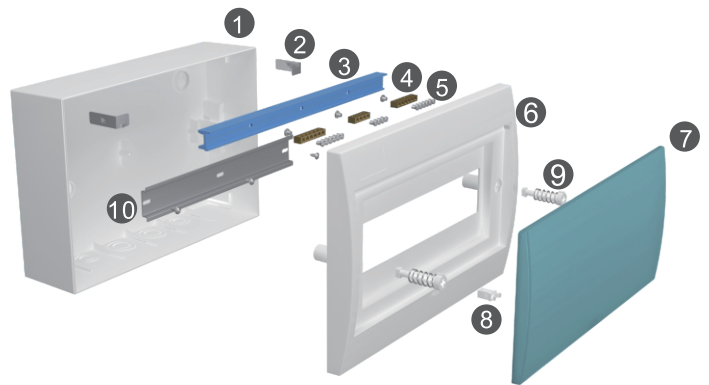
Technical data

Standard	IEC60439-3
Approval	CE
Modules (No.)	6, 8,12,18, 24, 36, 54
Row	1 row for 6, 8, 12, 18 modules 2 rows for 24, 36 modules 3 rows for 54 modules
Rated current In(A)	63,100,125A
Color	White RAL 9003 and Grey RAL 7035
Color of door	Blue, White
Mounting type	Surface, Flush
Degree of protection	IP30
Material	PS or ABS for body, PC for door
Fire resistance	650 °C/30s
Ambient temperature (°C)	-5-+40, max.95% humidity
Storage temperature (°C)	-40~+75°C



SGDBi Plastic base

Number of module	Plastic base (Surface type)	Plastic base (Flush type)	Rated Current In(A)	Color of door
6	SGDBi-S06	SGDBi-F06	63/100/125A	Blue/White
8	SGDBi-S08	SGDBi-F08	63/100/125A	Blue/White
12	SGDBi-S12	SGDBi-F12	63/100/125A	Blue/White
18	SGDBi-S18	SGDBi-F18	63/100/125A	Blue/White
24	SGDBi-S24	SGDBi-F24	63/100/125A	Blue/White
36	SGDBi-S36	SGDBi-F36	63/100/125A	Blue/White
54	SGDBi-S54	/	63/100/125A	Blue/White



1.Plastic Base

2.Iron Support

3.Terminal Block Support

4.Bras Terminal Block

5.Bras Terminal Block Screw

6.Plastic Front Cover

7.PC Window

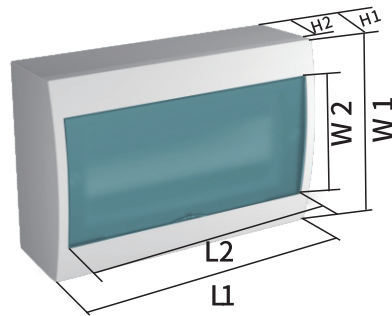
8.Plastic Cover Lock

9.Plastic Screw and Spring

10.Din Rail

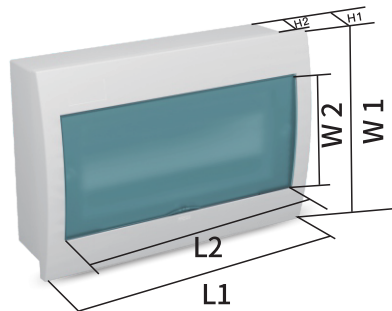
SGDBi-S Surface type

Dimension	L1/L2	W1/W2	H1/H2
6ways	194/168	204/129	102/77
8ways	228/203	204/129	102/77
12ways	300/275	204/129	102/77
18ways	410/384	204/129	102/77
24ways	300/298	294/242	109/77
36ways	410/406	294/242	109/77
54ways	435/425	601/579	143/120



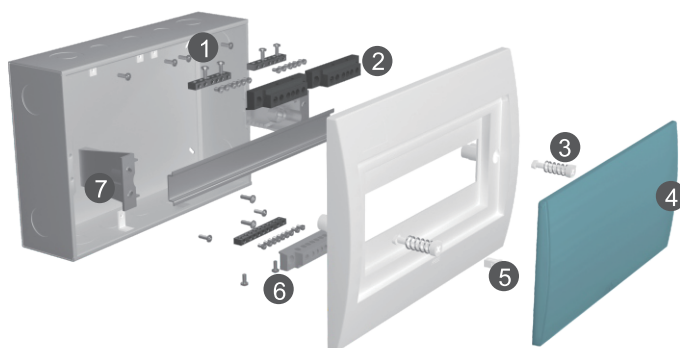
SGDBi-F Flush type

Dimension	L1/L2	W1/W2	H1/H2
6ways	210/168	219/129	102/77
8ways	244/203	219/129	102/77
12ways	317/275	219/129	102/77
18ways	426/384	219/129	102/77
24ways	318/298	310/242	109/77
36ways	426/406	310/242	109/77



SGDBi-F PM (plastic cover and metal base)

Number of module	Metal base (Flush type)	Rated Current In(A)	Color of door
8	SGDBi-F08 PM	63/100/125A	Blue/White
12	SGDBi-F12 PM	63/100/125A	Blue/White
18	SGDBi-F18 PM	63/100/125A	Blue/White
24	SGDBi-F24 PM	63/100/125A	Blue/White
36	SGDBi-F36 PM	63/100/125A	Blue/White



1.Screw(M4x10)

2.Plastic Strip

3.Plastic Screw and Spring

4.PC Window

5.Plastic Cover Lock

6.Screw(M2.5x14)

7.Iron Support

Metal Base Dimension

Specification	L	W	H
8ways	264	202	73
12ways	300	202	78
18ways	408	202	73
24ways	300	292	73
36ways	408	292	76

