


Thermal & Magnetic Adjustable Type

SGM6sm Moulded Case
Circuit Breaker



DEKRA

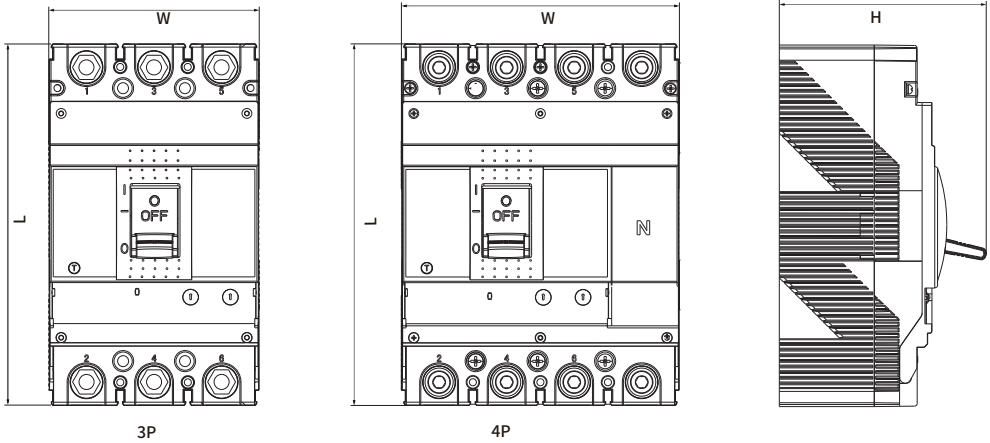
Ratings And Specifications Thermal & Magnetic Adjustable Type

Frame Size	 250			
Model	SGM6sm-250			
Number of poles	3,4			
Rated current(A) In	100,125,140,150, 160,175,180,200, 225,250			
Magnetic tripping current (Ii)	10*In			
Thermo-adjustable setting Ir(xIn)	0.8/0.9/1.0			
Magnetic-adjustable setting Ii(xIn)	6-8-10			
Standard	IEC60947-2			
Reference temperature	40°C/50°C/55°C			
Rated operational voltage	380/400/415V AC			
Rated insulation voltage Ui (V)	1000			
Rated impulse withstand voltage Uimp (kV)	8			
Breaking capacity level	L	M	H	H max
Rated ultimate short-circuit breaking capacity Icu(kA)	36	50	65	85
Rated service short-circuit breaking capacity Ics(kA)	25	36	50	66
Icu=Ics(kA)	25	36	50	66
Mechanical Endurance Electrical Endurance	for 100A		for 125-250A	
	8500 1500		7000 1000	
Installation	Auxiliary contact(OF) Alarm switch(SD) Shunt trip(MX) Under-voltage release(MN) AC Motor Mechanism Extended Rotary Handle Fixed magnetic trip			

Product Dimension Drawing Thermal Magnetic Adjustable Type

SGM6sm

160,250,400,630
800/1000 (3P/4P)

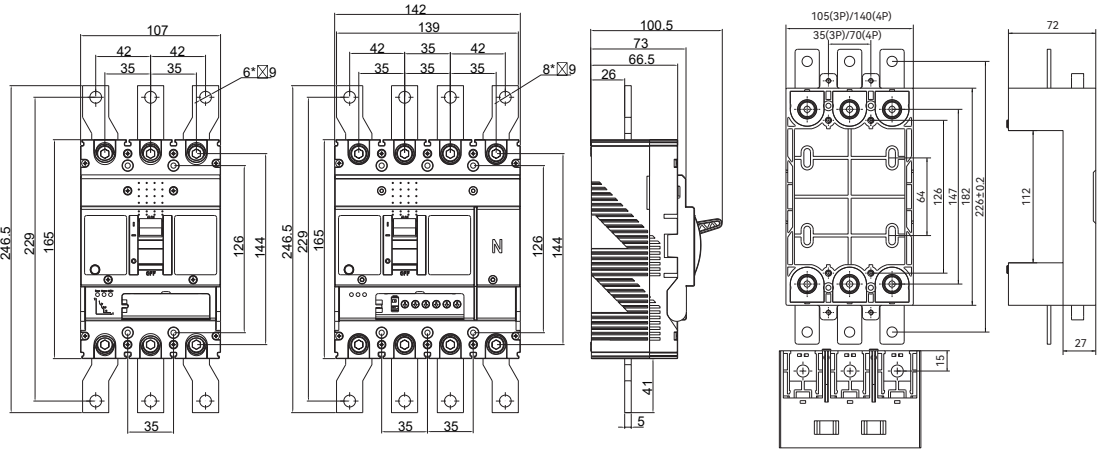


Front connection

Note: All dimensions are in mm

Front connection(mm)

Note: All dimensions are in mm



SGM6/6S/6SM/6E

250 (3P/4P)

SGM6 Dimensions mm(L×W×H)

Frame Size		250	250 (H max)	Frame Size		250	250 (H max)
3P	Length	165	165	4P	Length	165	165
	Width	107	105		Width	142	140
	Height	100	108		Height	98	108