


# Thermal Adjustable Type

SGM6s Moulded Case  
Circuit Breaker



KEMA  
EUR

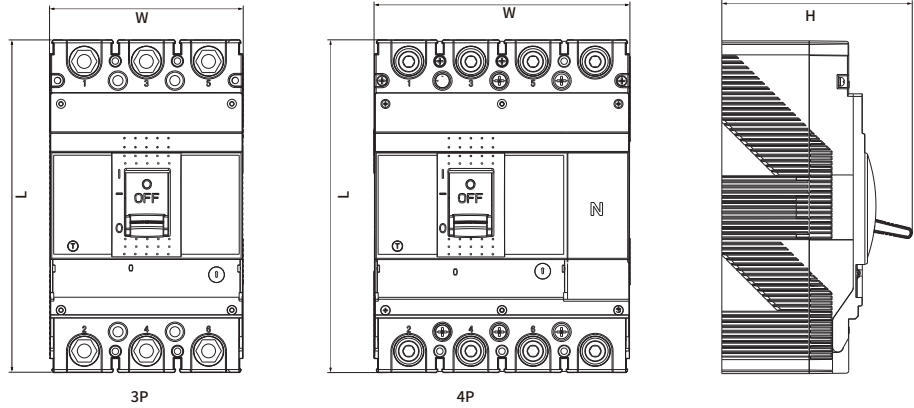
DEKRA

Ratings And Specifications		Thermal Adjustable Type	
Frame Size	 <p>400</p>		
Model	SGM6s-400		
Number of poles	3,4		
Rated current(A) In	250,280,300, 315,320,350,400		
Magnetic tripping current (li)	10*In		
Thermo-adjustable setting Ir(xIn)	0.8/0.9/1.0		
Standard	IEC60947-2		
Reference temperature	40°C/55°C		
Rated operational voltage	380/400/415V AC		
Rated insulation voltage Ui (V)	1000		
Rated impulse withstand voltage Uimp (kV)	8		
Breaking capacity level	L	M	H
Rated ultimate short-circuit breaking capacity Icu(kA)	50	85	100
Rated service short-circuit breaking capacity Ics(kA)	50	60	75
Icu=Ics(kA)	50	60	75
Mechanical Endurance	for 250-315A		for 350-400A
Electrical Endurance	7000 1000		4000 1000
Installation	Auxiliary contact(OF) Alarm switch(SD) Shunt trip(MX) Under-voltage release(MN) AC Motor Mechanism		

Product Dimension Drawing Thermal Adjustable Type

**SGM6s**

125,160,250,400,  
630,800,1000 (3P/4P)



■ Front connection

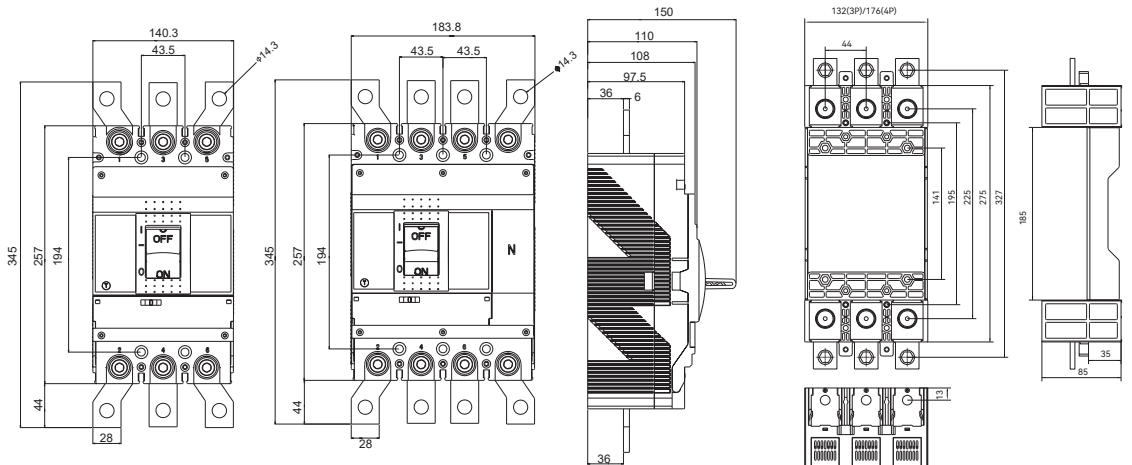
Note:All dimensions are in mm

■ Front connection(mm)

Note:All dimensions are in mm

**SGM6/6S/6SM**

400 (3P/4P)



**SGM6 Dimensions mm(L×W×H)**

Frame Size		400					
3P	Length	257		4P	Length	257	
	Width	140			Width	197	
	Height	148			Height	148	